

**Date: June 8, 2015**

**Esdec BV**

ClickFit / FlatFix | PV Mounting Structures  
Paderbornstraat 4, 7418BP Deventer, Nederland

**Regarding: 1600pa IEC mechanical load rating of TSMC Adjusted Flatfix Fusion**

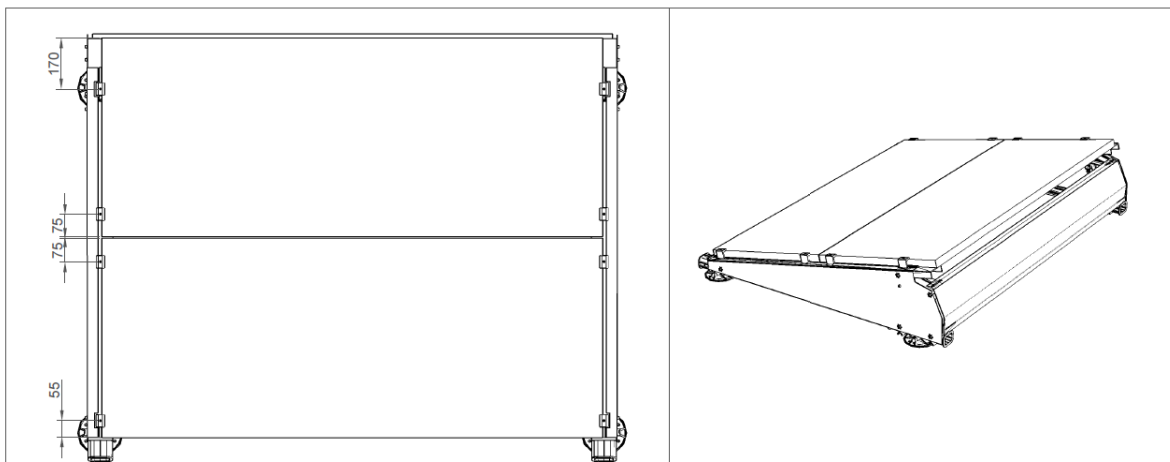
This note applies to TS-CIGS modules that are installed in landscape mode, secured to the Flatfix Fusion TSMC mounting structure using clamps attached to the short side of the module and in compliance with the installation requirements below (“Flatfix Fusion Modules”)

Based on TSMC’s analysis and experimentation, Flatfix Fusion Modules are able to sustain mechanical loads of up to 1,600pa according to IEC load testing. Subject to this reduced mechanical loading specification, TSMC Solar’s power and module warranties will be intact for such Flatfix Fusion Modules.

**Flatfix Fusion TSMC mounting structure installation requirements**

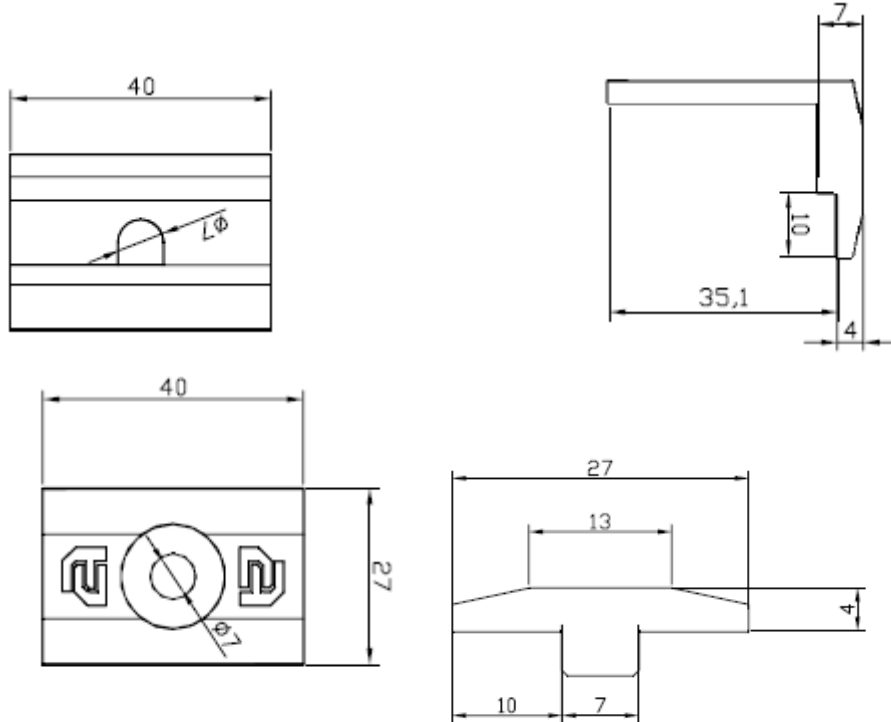
**Clamp placement and frame mechanical support:**

- Two clamps must be used on each of the short sides of the module, at positions as indicated in the drawings below
- Module frame on short-side is mechanically supported over its full length by a mounting rail, as indicated in the drawings below



**Clamp dimensions:**

- ☒ End and Middle clamp dimensions must be as specified in the drawings below



Please ensure that all your customers intending to use this installation method are informed about the reduced (1,600pa) module mechanical load specification.

Sincerely,

TSMC Solar Ltd.

By: Marc Spaulding  
Marc Spaulding  
VP Sales & Marketing