

Phono[®] Solar

Dual Glass Module

Poly/260-275W



Fire Application Class A

Fireproof dual glass module structure allows more safety



PID Resistant



Higher Reliability

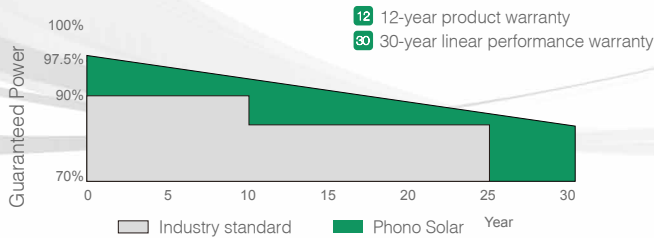
Enhanced reliability and better anti-corrosiveness in harsh environments

Bloomberg
NEW ENERGY FINANCE

Tier1



TOP
PERFORMER



EN EN-20190117

ELECTRICAL TYPICAL VALUES

Model	PS260PGF-20/U PS260PGFH-20/U	PS265PGF-20/U PS265PGFH-20/U	PS270PGF-20/U PS270PGFH-20/U	PS275PGF-20/U PS275PGFH-20/U
Type	Polycrystalline 6 inch x 6 inch square, 6 × 10 pieces in series			
Rated Power (Pmpp)	260W	265W	270W	275W
Tolerance	0~+5w			
Rated Current (Impp)	8.44	8.51	8.59	8.66
Rated Voltage (Vmpp)	30.81	31.14	31.44	31.76
Short Circuit Current (Isc)	8.94	9.04	9.09	9.17
Open Circuit Voltage (Voc)	37.69	38.03	38.39	38.68
Module Efficiency (%)	15.66	15.96	16.26	16.56
NOCT (Nominal Operation Cell Temperature)	45±2°C			
Voltage Temperature Coefficient	-0.31%/°C			
Current Temperature Coefficient	+0.057%/°C			
Power Temperature Coefficient	-0.41%/°C			

MECHANICAL CHARACTERISTICS

Dimension (L× W × H)	Length: 1664mm (65.51 inch) Width: 998mm (39.29 inch) Height: 30mm (1.18 inch)
Weight	21kg (46.30 lb)
Glass	2.0mm/2.0mm heat-strengthened glass(front/back)
Frame	Anodized aluminium alloy
Cable	4mm ² (IEC) , Length:1150mm or Customized length
Junction Box	IP 68 rated

ABSOLUTE MAXIMUM RATING

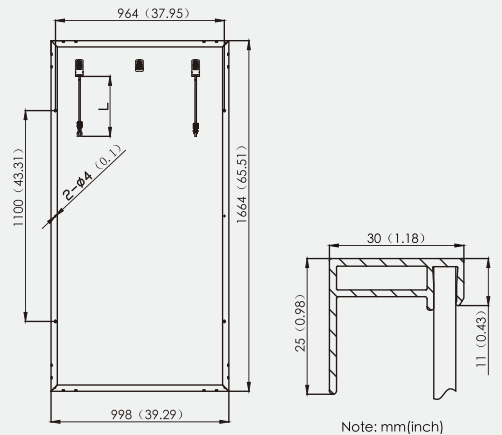
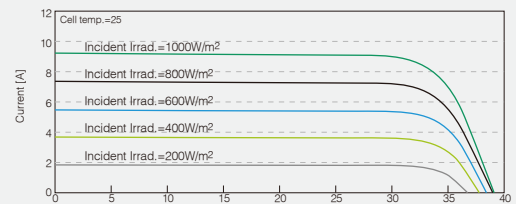
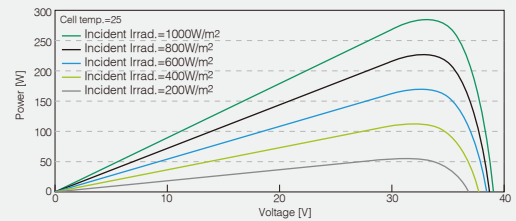
Parameter	Values
Operating Temperature	From -40 to +85°C
Hail Diameter @ 80km/h	Up to 25mm
Surface Maximum Load Capacity	Up to 5400Pa
Maximum Series Fuse Rating	20A
IEC Application Class (IEC61730)	A
Fire Rating (IEC61730)	A
Module Fire Performance (UL 1703)	Type1
Maximum System Voltage	DC 1000V/1500V (IEC)

PACKING CONFIGURATION

Container	20' GP	40' HQ
Pieces/Container	330	980

- In compliance with our warranty terms and conditions.
- Measurement conditions under irradiance level of Standard Test Conditions(STC): 1000W/m²
Air mass 1.5 Spectrum, cell temperature of 25°C.

ELECTRICAL CHARACTERISTICS



Phono[®] Solar

Note: This datasheet is not legally binding. Phono Solar Technology Co., Ltd. reserves the right to adjust specifications without notice. Further information please refer to our [Website:www.phonosolar.com](http://www.phonosolar.com), [E-mail:info@phonosolar.com](mailto:info@phonosolar.com)